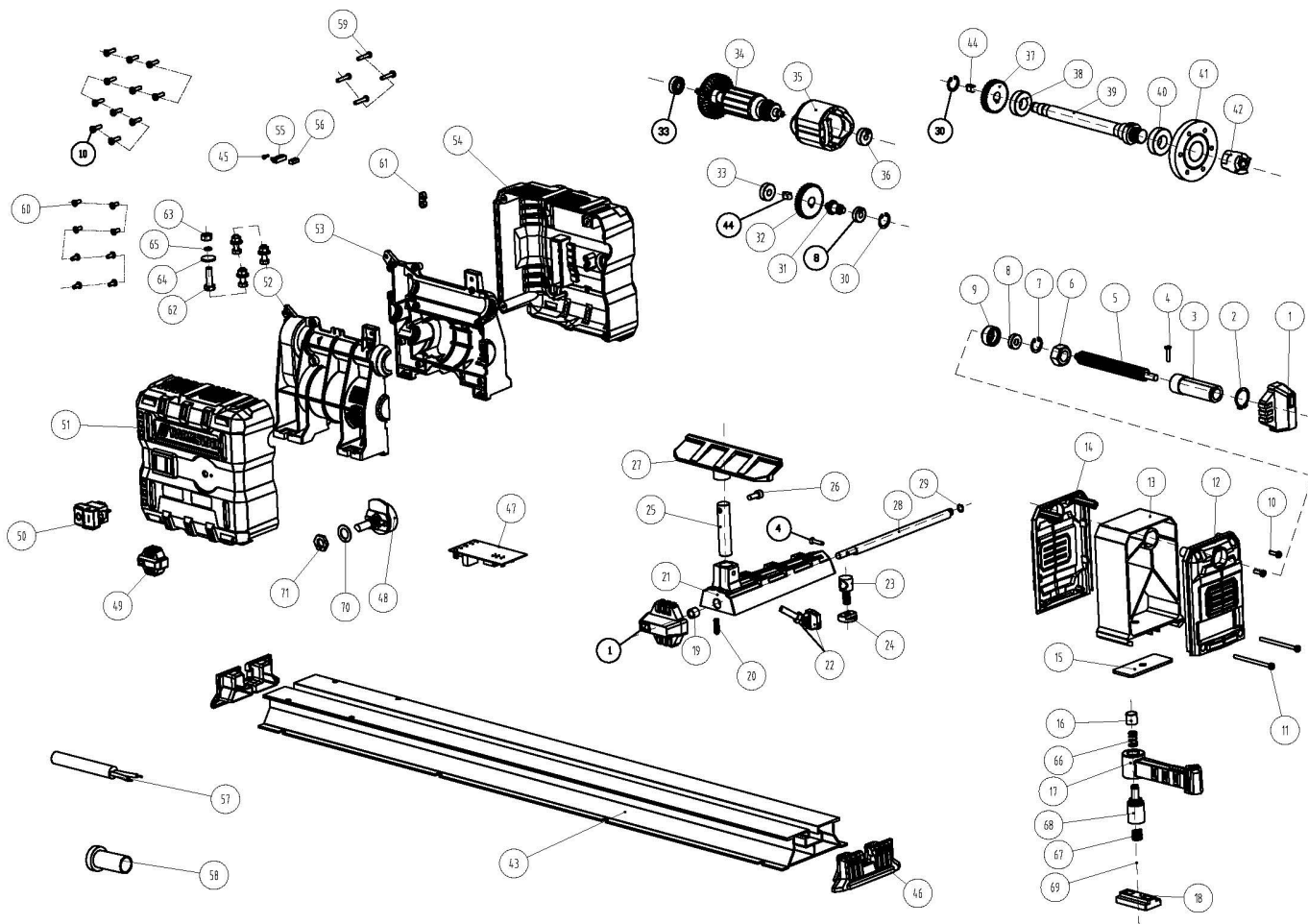




39023069915

Wood Turning Lathe  
PDM600B2 Parkside  
Lidl geographical zone 8



**Main products**

**Spare part list**

39023069915

135129 - 0132 - PDM600B2 - -

Spare	Description	additional	Item	Abb.	ConstructStatus
3902303001	Adjust knob	RAL3002	1	A	*
3902303002	Tail spindle assy.	Gewindestange M16	5-9	A	*
3902303003	front cover of tail	RAL6009	12	A	*
3902303004	rear cover of tail	RAL6009	14	A	*
3902303005	lever assy	RAL3002	16-18,66-69	A	*
3902303008	Seat of tool carrie assy		19--24,28,29,4	A	*
3902303009	Tool carrier cpl.		25-27	A	*
3902303017	Stator		34	A	*
3902303016	Rotor		35	A	*



39023069915

Wood Turning Lathe  
PDM600B2 Parkside  
Lidl geographical zone 8

**Main products**

**Spare part list**

39023069915

135129 - 0132 - PDM600B2 - -

Spare	Description	additional	Item	Abb.	ConstructStatus
3902303019	main shaft	M18x1,5	39	A	*
3309650006	BEARING	6003-D Ø35x17x10	40	A	*
3902303020	disc chuck	M18x1,5	41	A	*
3902303021	head spindle		42	A	*
3902303007	Base		43	A	*
3902303006	base cover		46	A	*
3902303022	PCB of regualting speed		47	A	*
5902305016	connector of speed knob	B50K	48,70,71	A	*
3902303010	Speed controlling knob	RAL3002	49	A	*
3902303011	switch	KR55/2, 15A, 250VAC	50	A	*
3902306001	front cover		51	A	*
3902306002	case back cover		54	A	*
3902306003	carbon brush		56	A	*
3906401015	power supply cord part 15	3000mm lang / 2x0,75mm <sup>2</sup>	57	A	*
3902102025	key SW 24	SW 24	o.Abb.	A	*
7902300702	chisel kit PDM600A1		o.Abb.	A	*

!!! Do you know: From now on you can view spare parts lists in our spare parts shop and order spare parts and accessories directly. More information can be found here: <https://www.scheppach.com/Shop.aspx>